

# Cutsheet for LCi-RTSc & LCi-RTSFX

## High Performance In-Wall Reference Theater Center Channel and Surround Loudspeakers

The LCi-RTSFX speaker features an integrated "perfect volume" performance enclosure to ensure superb performance every time. Because the RTSFX performance enclosure is the same size as the cutout, the speaker installs easily in a post construction project. The RTS C requires a larger cutout because of its separate performance enclosure. An available Stud-Lock Mounting System™ (for the RTSFX and sold separately) creates a rigid platform, increasing bass performance, clarity and reducing unwanted structure borne vibration. Both the RTS C and RTSFX are THX® Ultra2-certified, so you're assured of consistent sonic performance and exceptional dynamic range. The same driver technologies found in Polk Audio's highly acclaimed LCi Series of freestanding and built-in speakers are used in the LCi-RTS Series.

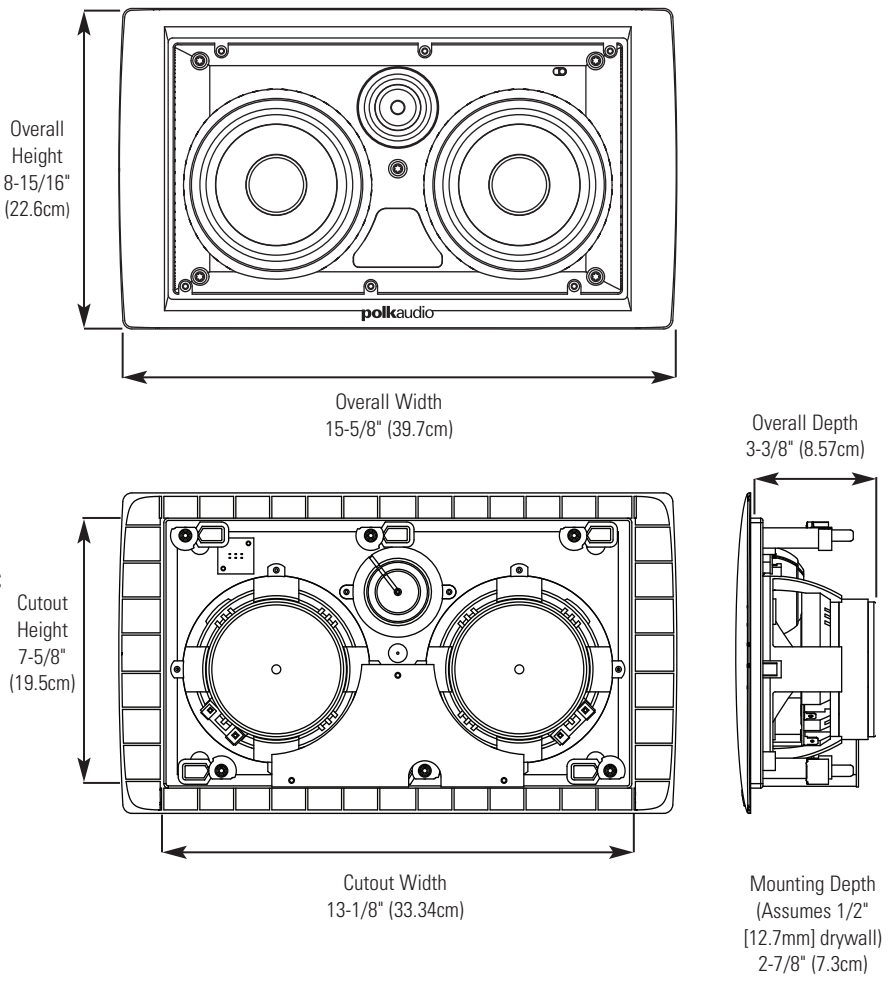
### LCi-RTSc

#### Hardware (included)

- One LCi-RTSc Speaker
- Enclosure
- Paint Mask
- Two Grilles (one perforated, one cloth)
- Logo Badge
- LCi-RTSc Manual
- Registration Card
- 4 Mounting Brackets
- 16 Screws
- 16 Washers

#### Important Note:

If anything is missing or damaged, or if your LCi-RTSc speaker fails to operate, notify Polk Audio Installer Support Services immediately at 800-377-7655. Hours: Mon.-Fri., 9am-5:30pm EST.



#### LCi-RTSc Dimensions

Overall Height	8-15/16" (22.6cm)
Overall Width	15-5/8" (39.7cm)
Cutout Height	7-5/8" (19.5cm)
Cutout Width	13-1/8" (33.34cm)
Overall Depth	3-3/8" (8.57cm)
Mounting Depth	2-7/8" (7.3cm) with 1/2" of drywall

Available Finish: Paintable White

**LCi-RTSc**

**Note:** The RTSc speaker is designed to be used as a THX® center channel speaker. It mounts between studs that are 16" OC (on center).

**RTSc ENCLOSURE**

The enclosure **must be used** for the RTSc to perform to THX® certified standards.

**REMOVING THE CLOTH GRILLE**

The RTSc's cloth grille fits tightly to the speaker Baffle. If you use the cloth grille, take special care when removing it.

Important Note: Never use any tool, such as a paperclip, to remove the grille, as this could tear the cloth.

Instead, use your hands (after you've washed them), grasping the grille frame near two of its mounting cups and pulling the frame firmly away from the baffle.

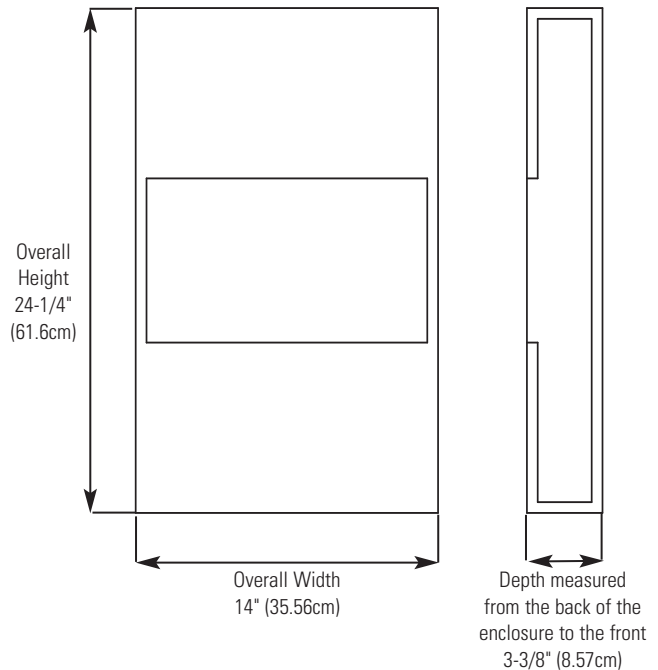
**WIRE RECOMMENDATIONS**

Runs	Gauge
Lengths up to 25'	18 or 16
Lengths greater than 25' but less than 50'	16 or 14
Lengths greater than 50' but less than 75'	14 or 12
Lengths greater than 75'	12

Mount Performance Enclosure using included hardware. Run wire from any direction and plug the hole to maintain an airtight seal.

**Web Address:**

For more information on the LCi-RTSc, log onto [www.polkaudio.com/downloads/manuals/home/LCi-RTSC\\_manual.pdf](http://www.polkaudio.com/downloads/manuals/home/LCi-RTSC_manual.pdf)



**SPECIFICATIONS**

**LCi-RTSc**

Product Weight: 8.75 lbs. (3.97kg)  
(not including Performance Enclosure)

**PERFORMANCE**

POWER HANDLING (WATTS/CHANNEL)	10-250W CONTINUOUS
IMPEDANCE (NOMINAL)	4 OHMS
FREQUENCY RESPONSE (OVERALL)	50HZ-27KHZ
THX SPEC	80HZ-26KHZ
EFFICIENCY (2.83V@1M)	92dB
<b>WEIGHT</b>	
SPEAKER	8.75 LBS (3.97KG)
PERFORMANCE ENCLOSURE	9.25 LBS (4.25KG)

**DRIVER COMPLEMENT**

MIDBASS	2-5 1/4" (13.34CM) AERATED POLYPROPYLENE DYNAMIC BALANCE™ DRIVERS
TWEETER	1-1" (2.54CM) AIMABLE RING RADIATOR TWEETER

**CONNECTIONS**

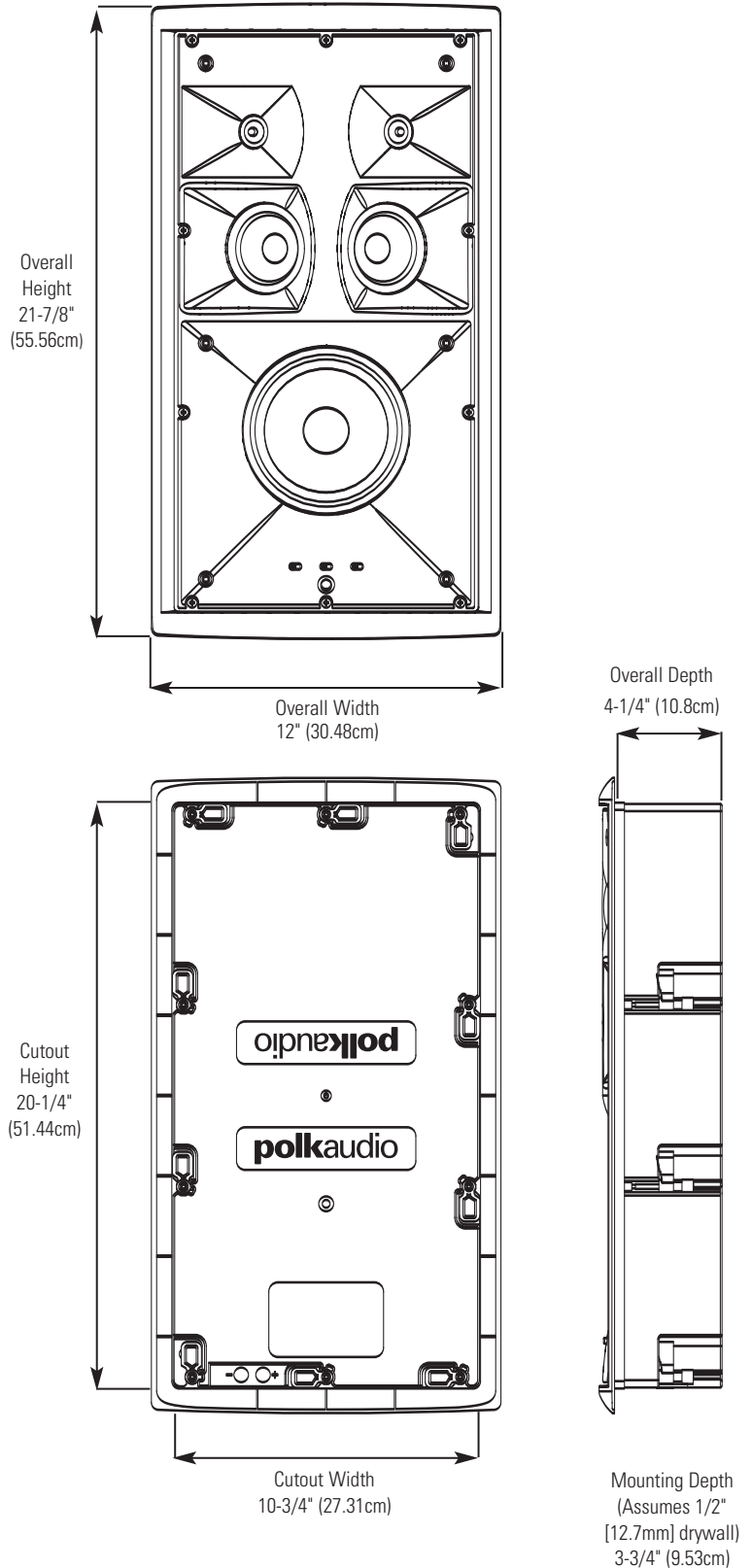
<b>SPEAKER WIRE</b>	
MAXIMUM WIRE SIZE ACCOMMODATED	12 AWG
MINIMUM RECOMMENDED	18 AWG
INPUT CONNECTORS	HEAVY-DUTY SPRING LOADED PUSH TERMINALS

**LCi-RTS<sub>FX</sub>**

**Hardware (included)**

- One Set of LCi-RTS<sub>FX</sub> Speakers
- Speaker Mounting Template
- Paint Mask
- Four Grilles (two perforated, two cloth)
- Logo Badge
- LCi-RTS<sub>FX</sub> Manual
- Registration Card
- Two STL105 Stud-Lock Brackets

**Important Note:** If anything is missing or damaged, or if your LCi-RTS<sub>FX</sub> speaker fails to operate, notify Polk Audio Installer Support Services immediately at 800-377-7655. Hours: Mon.-Fri., 9am-5:30pm EST.



**LCi-RTS<sub>FX</sub> Dimensions**

Overall Height	21-7/8" (55.56cm)
Overall Width	12" (30.48cm)
Cutout Height	20-1/4" (51.44cm)
Cutout Width	10-3/4" (27.31cm)
Overall Depth	4-1/4" (10.8cm)
Mounting Depth	3-3/4" (9.53cm) with 1/2" of drywall

Available Finish: Paintable White

**Stud-Lock Mounting System™  
(RTSFX only)**

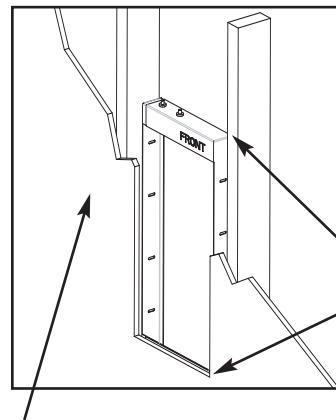
**Installation:** See the instructions included with each Stud-Lock Mounting System™.

**Important Note:** For new construction: If you are using a pre-construction bracket, always install it first before installing the Stud-Lock Mounting System™.

If you are installing a pre-construction bracket (PBC) and a Stud-Lock Mounting System (STL105) together, be aware that the speaker's enclosure can catch on the edge of the pre-construction bracket. Push the bottom of the loudspeaker enclosure up and over the protruding edge of the pre-construction bracket. This will fully seat the loudspeaker in the wall.

**Important Notes:**

**If you are using a Pre-Construction Bracket, always install the Pre-Construction Bracket before installing the Stud-Lock Mounting System™. Be sure to clear the Pre-Construction Bracket wire guide when installing the Stud-Lock Mounting System™.**



**STL105**

Center the bracket vertically in the cutout. The lip of the Stud-Lock bracket and the cutout should align.

Drywall shown cut away for clarity.

**SPECIFICATIONS**

**LCi-RTSFX**

Installed Weight: 10.75 lbs. (4.88kg)  
(not including Stud-Lock Mounting System™)

**PERFORMANCE**

POWER HANDLING (WATTS/CHANNEL)	10-250W CONTINUOUS
IMPEDANCE (NOMINAL)	4 OHMS
FREQUENCY RESPONSE (OVERALL)	50HZ-27KHZ
THX SPEC	80HZ-26KHZ
EFFICIENCY (2.83V@1M)	88dB
SPEAKER WEIGHT (INSTALLED)	10.75 LBS (4.88KG)

**DRIVER COMPLEMENT**

MIDBASS	2-5 1/4" (13.34CM) AERATED POLYPROPYLENE DYNAMIC BALANCE™ DRIVERS
TWEETER	1-1" (2.54CM) RING RADIATOR TWEETER

**CONNECTIONS**

SPEAKER WIRE	
MAXIMUM WIRE SIZE ACCOMMODATED	12 AWG
MINIMUM RECOMMENDED	18 AWG
INPUT CONNECTORS	HEAVY-DUTY SPRING LOADED PUSH TERMINALS

**Web Address:**

For more information on the LCi-RTSFX, log onto [www.polkaudio.com/downloads/manuals/home/LCi-RTSFX\\_manual.pdf](http://www.polkaudio.com/downloads/manuals/home/LCi-RTSFX_manual.pdf)

## REMOVING THE CLOTH GRILLE

The RTSFx's cloth grille fits tightly to the speaker Baffle. If you use the cloth grille, take special care when removing it.

Important Note: Never use any tool, such as a paperclip, to remove the grille, as this could tear the cloth.

Instead, use your hands (after you've washed them), grasping the grille frame near two of its mounting cups and pulling the frame firmly away from the baffle.

## LCi-RTSfx

### SETTING RECOMMENDATIONS

#### RTSfx In-wall Surround Location

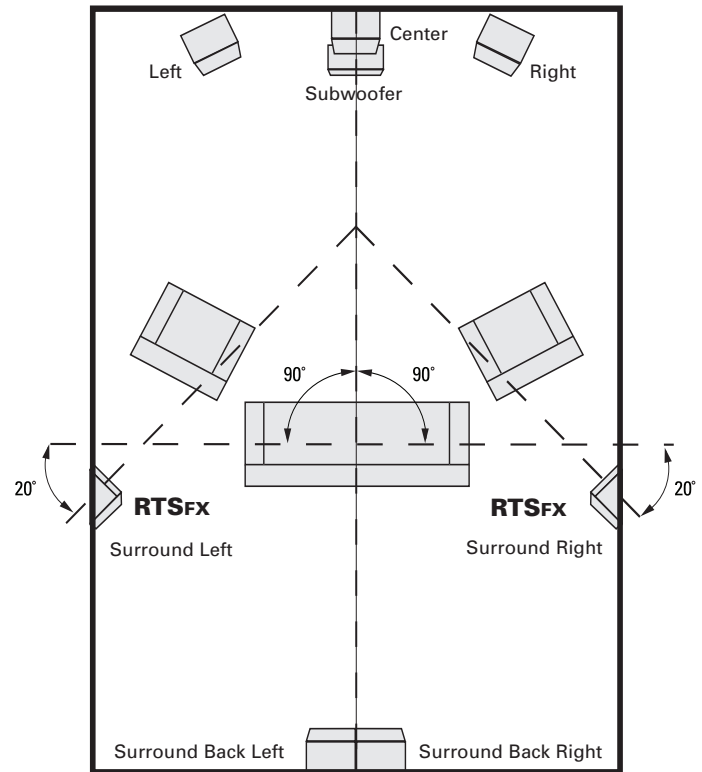
Surround speakers located close, straight to the sides of your listening area, and approximately six feet off the floor

Surround speakers located behind your listening area and approximately six feet off the floor

**Image Setting Recommendation**  
Diffuse

Solid

The "Solid" setting is required for THX®Ultra2 Systems.



## ROOM ENVIRONMENT CONTROLS

### Tweeter Switch (RTSc/RTSfx)

If your listening room is very reflective, with smooth sheet-rock walls, hardwood floors, and non-cushioned furniture, the sound will be overly "bright" and unnatural. Engaging the tweeter attenuation feature a Tweeter attenuation feature. Selecting the "cut" setting compensates for the effect of reflectivity in a hard room. Tweeter attenuation flattens room response, without hindering higher frequency response, for warmer, more realistic sound and more accurate imaging.

### Wall Distance Switch (RTSfx)

In-wall and in-ceiling loudspeakers excel when placed more than 2'(60cm) from side walls. If position limitations demand that in-wall loudspeakers be installed closer than 2'(60cm) from side walls, the proximity of the surface can result in a response "bump" between 50 and 200Hz. This can cause in-wall speakers to sound "boomy." The Wall Distance Switch flattens response and tunes out "boominess" without sacrificing deep bass response, for more lifelike sound.

**If placement is closer than 2' to a wall:** Engage the Wall Distance Switch ("Wall Dist.") to match the <2' setting. Recommended speaker distance from side walls is 2 feet (60cm).

### RTSc/RTSfx THX®Ultra2-certified Performance

For THX®Ultra2-certified performance, use the cloth grille; set the Tweeter Switch (RTSc/RTSfx) to the "normal" position; on the RTSfx, set the Wall Distance Switch to the greater than two feet (>2) position.

**If you have questions, please contact your Authorized Polk Audio Dealer or Customer Service at 1-800-377-7655 Monday through Friday 9am-6pm EST.**