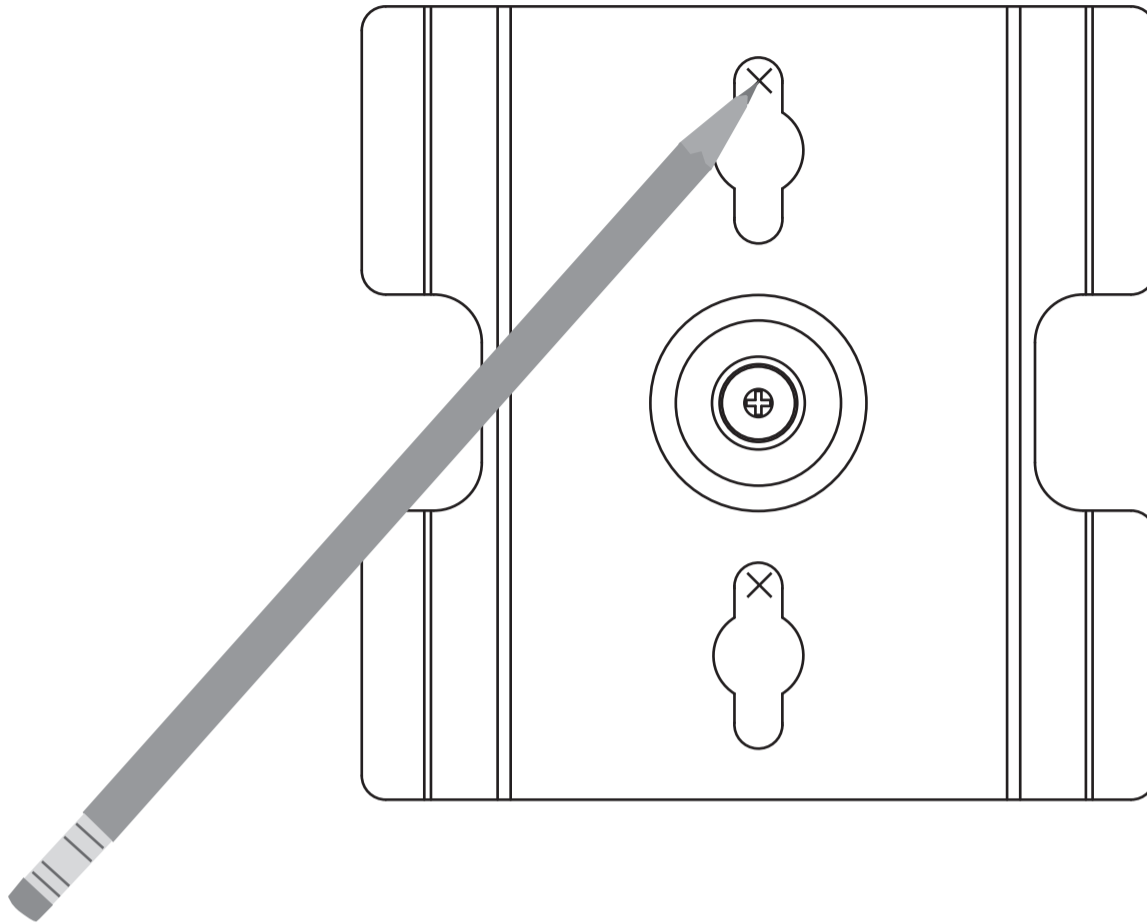
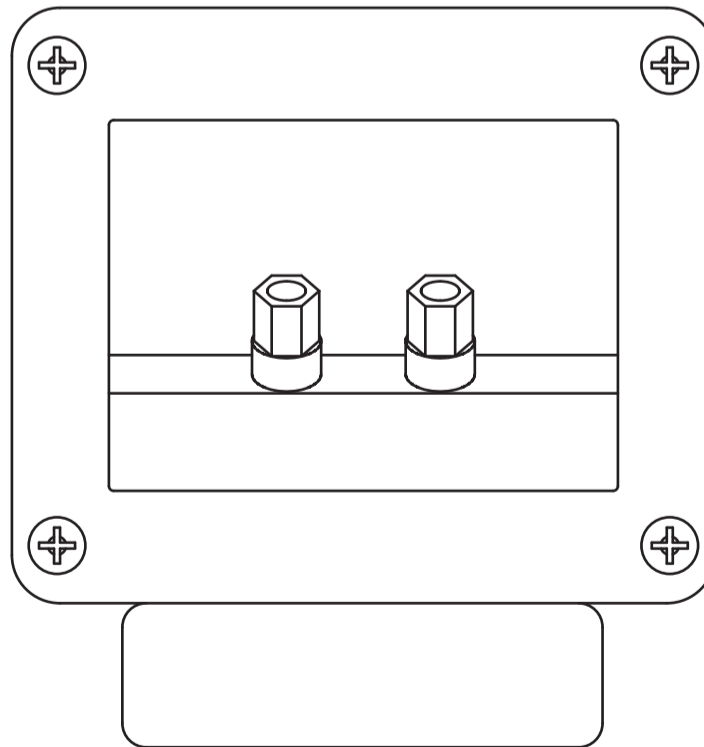


# Align Template to Top Left of Speaker



## FXi A6 Wall Mount Template



RM6625-1

|                     |  |                                      |  |
|---------------------|--|--------------------------------------|--|
| <b>Date</b>         | 29 Nov 2006  | <b>Approvals</b>                     |  |
| <b>Revision</b>     |  | <b>Date</b>                          |  |
| <b>Drawing #</b>    | HBP1339  | <b>Revision</b>                      |  |
| <b>File Name</b>    | FXiA6_WallMountTemp.eps                                    | <b>Part #</b>                        |  |
| <b>Scale</b>        | Full Size  | <b>System Engineering Approval</b>   |  |
| <b>Drawn By</b>     | KLB  | <b>Q.A. Approval</b>                 |  |
| <b>Color</b>        | Prints 100% black on white stock<br>(trim size: 10" x 14") | <b>Mechanical Design Approval</b>    |  |
| <b>Emboss Ht.</b>   | n/a  | <b>Project Manager Approval</b>      |  |
| <b>Deboss Depth</b> | n/a  | <b>Product Line Manager Approval</b> |  |
| <b>Finish</b>       | n/a  | <b>Creative Director Approval</b>    |  |
| <b>Process</b>      | Offset lithography   | <b>Comments</b>                      |  |
| <b>Notes</b>        | 10" x 14" holding rule DOES NOT PRINT                      |                                      |  |
| <b>Artwork</b>      | Digital file   |                                      |  |



Inch Marker for  
Scale Reference  
Only